

Blend and serve the perfect iced tea from concentrate every time.

Curtis' Oval Tea Dispensers are uniquely engineered with an enhanced mixing chamber and venturi system to optimize the blending of bag-in-box concentrate and fresh water. Now you can consistently serve delicious and refreshing iced tea glass after glass.



ITEM NO

PROJECT

DATE

FEATURES AT A GLANCE

- Mixing chambers have been designed and engineered for enhanced blending performance.
- Easily adjustable concentrate to water mixing ratio.
- Greater faucet clearance.
 - Drip tray and quick disconnect included.
 - Braided hoses.
 - Pressure regulators mixes a range of 5:1 to 15:1 concentrate to water ratio.
 - Precision TCC2P with individual pressure regulators and product divider.
 - Extra length hose for under-counter or remote bag-in-box applications.
 - Rear shut-off valve.
 - Shelf will accommodate two 1/2 gallon bottles or bag-in-box containers.
 - Solid plastic lid.
 - Alternate merchandising label available.



Optional Label: WC-38360



Braided Hose



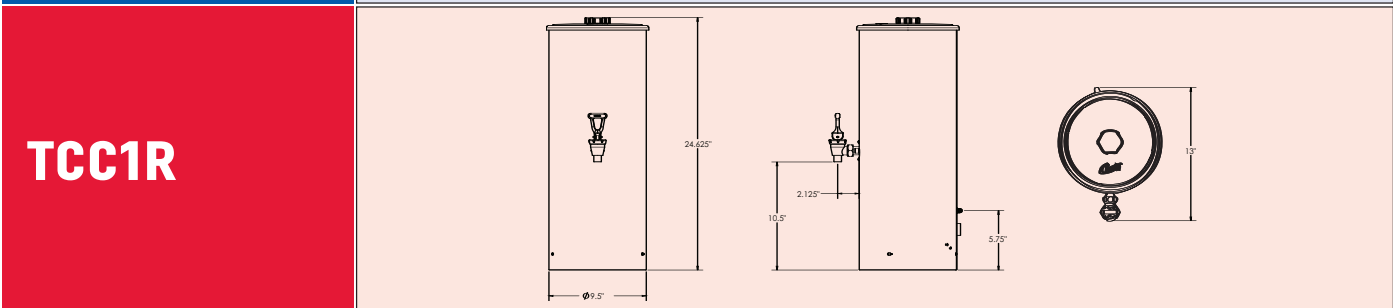
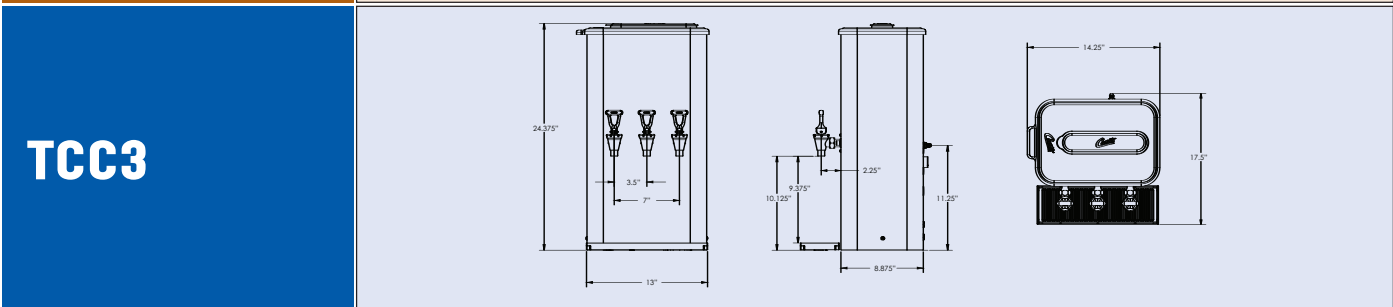
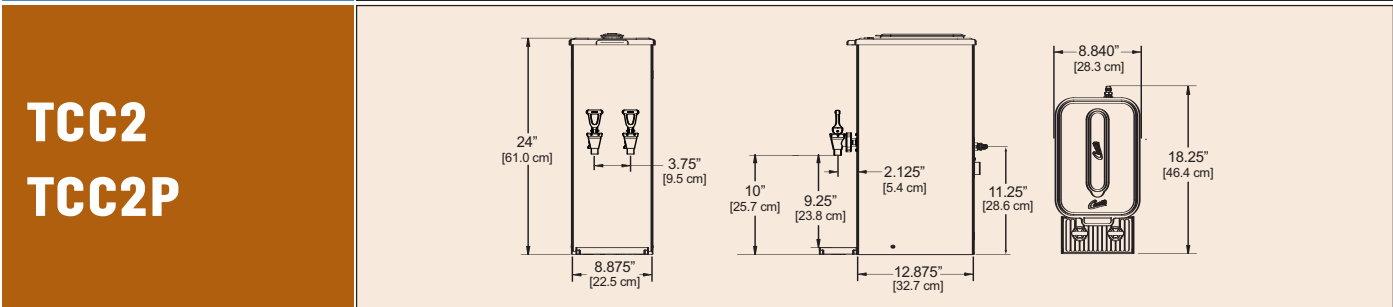
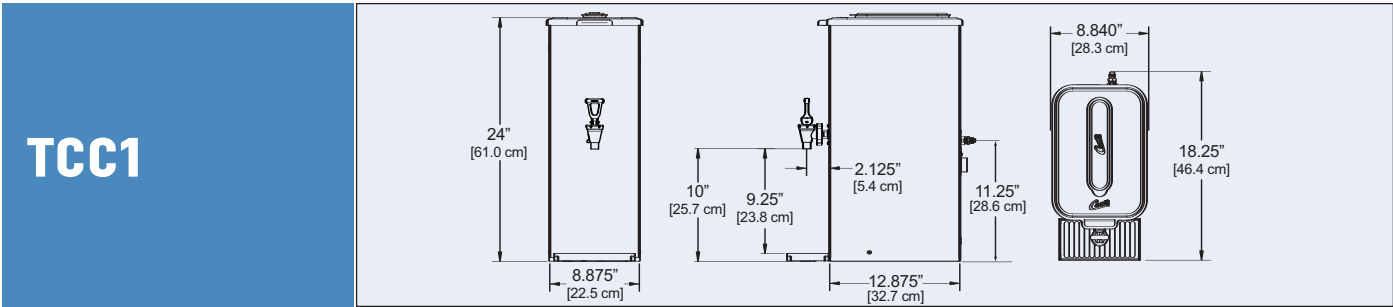
Mixture Adjusting Knob



Quick Connect



Enhanced 9.25" Cup Clearance



Specifications	Faucet Clearance	Dimensions (HxWxD)	Shipping Wt.	Cube (cu. ft.)
TCC1	9.25"	24" x 8.875" x 12.875"	22 lbs.	6.2
TCC2/TCC2P	9.25"	24" x 8.875" x 12.875"	23 lbs.	6.2
TCC3	9.375"	24.375" x 13" x 8.875"	25 lbs.	6.2
TCC1R	10.5"	24.625" x 9.5" x 13"	25 lbs.	6.2

ACCESSORY ITEMS

WC-53117-101 Stainless Steel Bottle Siphon Tube



WC-8654
Scholle "L" Bag
Connector



WILBUR CURTIS COMPANY, INC.

6913 Acco Street, Montebello, CA 90640-5403

Telephone: 800-421-6150 · 323-837-2300

Fax: 323-837-2406

www.wilburcurtis.com

